

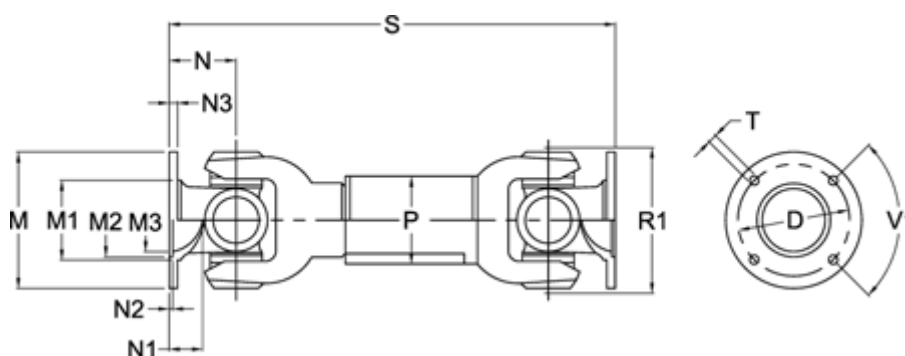
Data Sheet



Article number: 071061300200030

Description: Cardan drive shaft 0.106.130.002
S=200 X=30 Bore with keyway

Measures



| | | | | | |
|----------------------------|------------|-----------------------|-------------|------------|---------|
| D | = 52 +-0,1 | N1 | = 12.5 | T | = 6 B12 |
| Extension X | = 30 | N2 | = 1,7 +0,3 | V1 degrees | = 90 |
| Flange diameter M | = 65 | N3 | = 4 | | |
| M1 | = 38 | Number of Flangeholes | = 4 | | |
| M2 | = 35 | P | = 32x1,5 | | |
| M3 | = 30 | R1 | = 60 | | |
| Max. Bending Angle degrees | = 30 | S min | = 200 | | |
| N | = 32 | Spline dim. DIN 5480 | = 25x1,5x15 | | |